



ISO 3

Electromechanical operator for swing doors

EMERGENCY EXIT
Public establishments (ERP)



FIRE SAFETY
Force EN3 to EN6



UNIVERSAL PRODUCT
EASY INSTALLATION

A USER FRIENDLY OPERATOR FOR A NUMBER OF APPLICATIONS

- ISO 3 is the ideal choice for all applications that require:
- Power and management for high traffic.
 - Safety of people and buildings in accordance with applicable regulations.
 - Flexible and soft opening for the elderly and handicapped.
 - Comfortable and clean for access in sensitive areas.

DESIGNED FOR EASY ACCESS





REQUIREMENT+

LOW ENERGY MODE

Comfortable and safe movements for elderly & handicapped



NURSING HOMES,
HOMES FOR ELDERLY PEOPLE, etc.

Bring comfort and safety to your residents, providing assistance to the elderly for whom opening a door is sometimes difficult or tricky.

REQUIREMENT+

MANAGING OVERPRESSURE IN STERILE ENVIRONMENT



HOSPITALS, CLINICS, etc.
PRESERVE HEALTH IN YOUR INSTITUTION WHILE FACILITATING EASY MOVEMENT IN THE CORRIDORS.

In a medical environment, cleanliness and hygiene are vital. It is a major challenge to limit the contamination of door handles by hand contact.

ISO3 DELIVERS EFFICIENCY AND PERFORMANCE IN ALL SCENARIOS.



OPERATING TYPES

- Fully Automatic.
- Power Assisted.
- Push and Go.

OPERATING MODES

- Auto/Open/Closed/Entry/Exit/Manual.

STANDARDS

- Low Energy.
- EN16005.
- ANSI 156.19.
- EN3-EN6. fireproof.

PROGRAMMING

- Programmable Inputs/Outputs.
- Diagnostics.

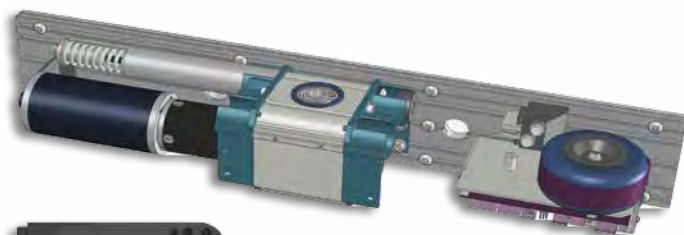
TYPES OF ELECTRIC LOCKS

- Motorized locks.
- Electric strikes.
- Door holders, etc.

ZOOMS

CLOSE-DOOR FUNCTION

By return spring.

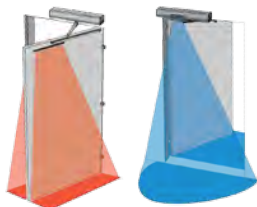


3-POSITION SELECTOR

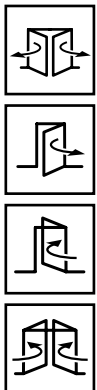
- Open/Auto/Manual.
- Reset button.
- Door status signaling (Diagnostics).

A multitude of applications. A single operator.

All types of opening control, safety and locking systems are possible, depending on usage, access issues (high traffic, elderly & handicapped) and environmental constraints (hygiene, cleanliness, wind, pressure, etc.).



- Radars and detections.
- Opening controls with or without contact.
- Key mode selector.
- Console for switching mode and user settings.



COMPASS PUSHING ARM
Left/Right opening;

GUIDE RAIL PULLING ARM
Left/Right opening.

REQUIREMENT+

SAFETY OF PREMISES

Managing many types of locking



PUBLIC AND ADMINISTRATIVE BUILDINGS,
SHOPS, HOTELS, RESTAURANTS, etc.

Traffic density here is often very high. Both users and operators appreciate automatic doors that can be opened smoother and more safely.

REQUIREMENT+

MANAGING INTENSE TRAFFIC



AIRPORTS,
QUICK AND SAFE ACCESS.

At airports, the speed of movement of passengers is a key performance factor. The ability to adapt to all conditions (including climate) is an added advantage.

General characteristics



	PUSHING	FIRE RATED PUSHING	PULLING
--	---------	--------------------	---------

MECHANICAL			
Assembly	Horizontal on door frame, right or left		
Dimensions (H x D x I)	102 x 136 x 650 mm 4" x 5 3/8" x 25 9/16"	102 x 136 x 760 mm 4" x 5 3/8" x 29 15/16"	102 x 136 x 650 mm 4" x 5 3/8" x 25 9/16"
Arm	Telescopic compass arm - satin black finish		Guide rail arm, satin black
PERFORMANCE			
Max. opening angle	120°	95°	95°
Min/max. leaf width	Single: 720 - 1,500 mm 28 3/8" / 59 1/16" Double: 1,450 - 3,000 mm 57 1/16" / 118 1/8"	Single: 780 - 1,400 mm 3 1/16" / 55 1/8" Double: 1,500 - 3,000 mm 59 1/16" / 118 1/8"	Single: 820 - 1,500 mm 32 1/4" / 59 1/16" Double: 1,550 - 3,000 mm 59 1/16" / 118 1/8"
Max. weight <i>*Please refer to the Table</i>	250 kg - 551 lbs (width 0.8m - 31 1/2")*	250 kg - 551 lbs (width 1.1m - 43 5/16")*	160 kg - 353 lbs (width 0.8m - 31 1/2")*
Pulling door-closer power	160 kg - 353 lbs	EN 3 to EN 6 according to EN 61937-2 / EN1154	100 kg - 220 lbs
Vertical adjustment	Operator base - Passage height H: 0 - 50 mm - 0-2" / H: 50 - 100 mm - 2"-3 15/16"		Operator base - Door height H: 45 - 95 mm - 1 3/4"-3 3/4" H: 95 - 145 mm - 1 3/4"-5 11/16"
Horizontal adjustment	Lintel depth D: 0 - 200 - 0-7 7/8" D: 200 - 400 mm - 7 7/8"-15 3/4" (optional)		Wall plate / wall D: ±10 mm - ±3/8"
Adjustable speeds	Opening: 10 to 60°/s Closing: 10 to 50°/s		
Hold opening time	0 to 25 s 3 hold times: Complete opening / Master-slave partial opening / Priority opening		
Sound level	55 dBA measured from a distance of 25 cm - 9 13/16"		
ELECTRICAL ENVIRONMENT			
Power supply	230 V AC / 120 V AC, 50/60 Hz ±10 % with earth		
Consumption	At rest 10 W - Max. 120 W		
Humidity rate	10 % to 85 % without condensation		
Operating temperature	-20° C -68° F to +60° C -140° F		
Lock control	12 VDC or 24 VDC / 12 W max.		
Standards	CE - EN 61000 6-3 - EN 61000 6-2 - EN 16005/IS - UL325 EN 60335 - EN 13849-1 - NFS 61937-1 - NFS 61937-2		

FEATURES

Push & Go	6 operating modes
Master-slave leaf synchronization	Code management
Airlock door management	Fault diagnostics/history
Management of doors in overpressure or in negative pressure	Cycle counter
Reset	
Programmable inputs:	Programmable outputs:
- 2 inputs Closing/Opening safety NO/NC/Self-controlled	- 2 relay outputs Travel limit Open / Travel limit Close /
- 1 control input Internal NO/NC/Frequency	Technical alarm / Person with reduced mobility
- 1 control input External NO/NC	- 1 locking output: Inrush current/No current
- 1 input Key/Priority opening	Stationary/Motorized
- 1 input 6P/3P selector	

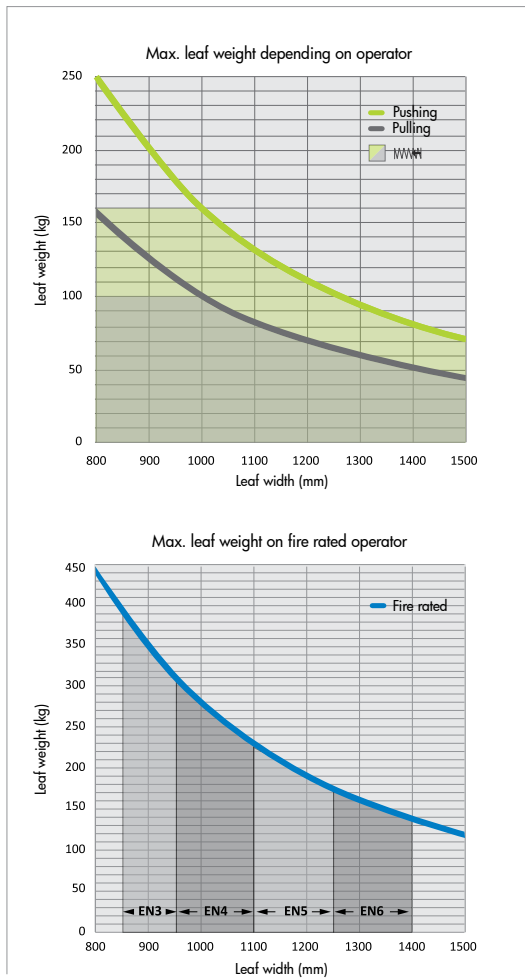
EQUIPMENT / OPTIONS

3-P selector	●	Pushing shaft extension 50 - 100 mm	○
6-P selector	○	Pulling shaft extension 95 - 145 mm	○
Naviblu console	○	Fire detection module (Actuated Safety Devices)	○
Reset button	●	Master-slave connecting cable	○
Pushing arm slide 200 - 400 mm	○	Pulling arm FBO equipment	○

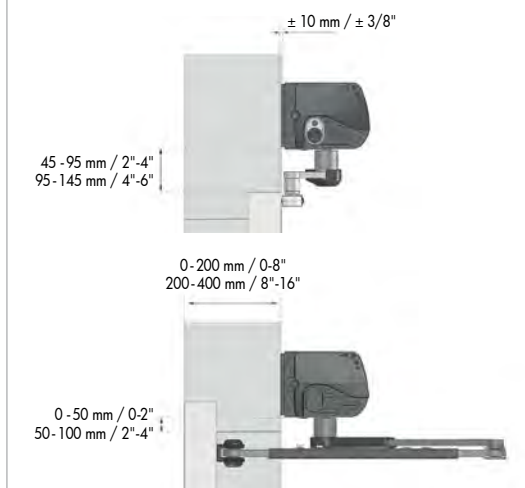
FINISH / CUSTOMIZATION

AS1 finish	●	Customized single cover	○
RAL finish	○	Customized double cover	○
Special finish	ON REQUEST	Double-door intermediate cover	○

● Standard ○ Optional



GREATER INSTALLATION FLEXIBILITY



YOUR PARTNER



PORTALP INTERNATIONAL
 Parc d'Activités des Plans - 7, rue de l'Arcele - 38600 FONTAINE - FRANCE - info@portalp.com - www.portalp.com

EN-DOC 015519-B - 012018 - Portalp reserves the right to change the products and equipment described herein without prior notice. Their description may not in any manner be considered contractually binding - Photos: SYNTHÈSE ECA - Tél.: +33 (0)4 76 90 02 73